

ControlWave[®] PAC Redundant Systems

The ControlWave[®] PAC redundant systems are designed to prevent a single point of failure from shutting down the entire system. Redundant systems are ideal for use in critical processes and harsh applications that require maximum operational readiness and system availability. Two types of redundant systems are available for the ControlWave PAC: the redundant process control and communications system and the redundant input/output (I/O) system.

Both types of redundant systems provide you with dual CPUs, dual power supplies, dual communication paths, and automatic switching between redundant components without any data loss. The redundant I/O system adds an additional layer of protection by automatically detecting problems and switching between I/O racks if any single module or point fails. Both designs deliver redundant systems that provide high availability, reliability, and safety.

Features

- Process control redundancy and communications redundancy.
- Optional I/O redundancy.
- Dual CPUs.
- Dual power supply sequencers.
- Automatic failure detection.
- Automatic switchover to hot standby controller.
- No single point of failure.
- Communication channel switching.
- Alarm and historical data backup.
- No programming required for redundancy data transfer.



ControlWave PAC Redundant Process Control and Communication System

Redundant Process Control and Communications System

The redundant process control and communications system provides you with redundant process control, multiple communication paths, and automatic failure detection including switching of the CPUs and communication paths.

The redundant process control and communications system consists of an aluminum chassis that houses the primary and backup CPUs, primary and backup Power Supply Sequencer modules (PSSMs), and the CPU and Communications Redundancy Switch panel (CCRS). This chassis is then connected to ControlWave PAC I/O Expansion Racks via Ethernet.

Dual CPUs

The redundant process control and communications system has two CPUs: a primary CPU and a backup CPU. In the event of a primary CPU failure, the system automatically switches to the backup CPU. All process control and communication functions automatically switch to the backup CPU. This method offers a high degree of control reliability and system availability at the most economical cost.

Switch Panel

The CPU and Communications Redundancy Switch panel (CCRS) allows automatic and manual selection of the primary CPU, PSSM, and up to four serial communication ports. LEDs visually indicate the operation and status of the redundant system.

Redundant I/O System

In addition to process control and communications redundancy, the redundant I/O system adds an additional layer of protection by automatically detecting problems and switching between I/O module racks.

The redundant I/O system consists of an aluminum chassis that houses a Redundant Power Supply Sequencer Module (RPSSM), the CPU and Communications Redundancy Switch panel (CCRS), and I/O switches connected to two identical ControlWave PACs. Analog output (AO) modules with read-back and digital output (DO) modules with read-back provide further data consistency verification.

Remote Automation Solutions

Website: www.EmersonProcess.com/Remote

Technical Specifications

I/O Switches

Each I/O switch is connected to two identical I/O modules in two separate ControlWave PACs. The I/O switch receives the process I/O signals from the field. The signals from the field are passed through the I/O switch to the primary I/O module. If a failure is detected, the I/O switch sends the signal to the backup I/O module and no data is lost.

Switch Panel

The CPU and Communications Redundancy Switch panel (CCRS) allows automatic and manual selection of the primary controller CPU, PSSM, I/O rack, and up to four serial communication ports. LEDs visually indicate operation and status of the redundant system.

AO and DO Modules with Read-Back

Analog output (AO) modules with eight outputs are available in two versions: standard AO or AO with read-back functionality. AO modules with read-back functionality monitor the values of their standby counterpart to verify consistency. If the monitored values are inconsistent, an alarm notification is set and the ControlWave PAC can be configured to prevent or allow switching to the failed backup I/O hardware.

Digital output (DO) modules with read-back functionality monitoring the values of their standby counterpart to verify consistency. Digital output (DO) modules with 16 outputs support read-back functionality. If the monitored values are inconsistent, an alarm notification is set and the ControlWave PAC can be configured to prevent or allow switching to the failed backup I/O hardware.

Standard AO and DO modules used in a redundant system do not perform this monitoring, and the potential exists to switch to a backup module with failed hardware. For critical processes, we recommend the AO and DO modules with read-back capability.

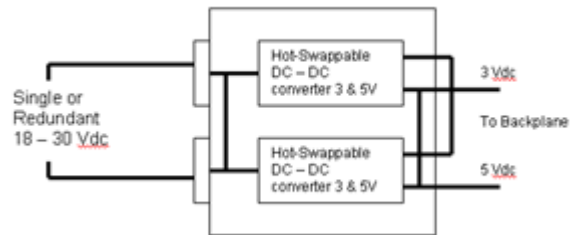
Note: You must use the same module type in any redundant pair. Do not install an AO/DO module with read-back functionality in the primary controller and a standard AO/DO module as its redundant counterpart in the backup controller, or vice versa.

Redundant Power Supply Sequencer Module

The Redundant Power Supply Sequencer module (RPSSM) provides the ControlWave with dual power supplies for operational redundancy. The RPSSM includes two independent power supplies: a primary power supply and a backup power supply. Should the primary power supply fail, operations automatically continue using the backup supply, and you can hot-swap the failed power supply with a spare unit without interrupting control operations. The RPSSM also supports hot-swapping of I/O modules. However, you cannot replace the RPSSM itself without first turning off power to the ControlWave.

When used as part of a redundant system, the failure of one of the two power supplies in a RPSSM would not force a failover to the other controller. Only the loss of both power supplies on the RPSSM would trigger a failover.

Each power supply on the RPSSM drives a solid state relay contact closed during normal operation. In a failure, this contact opens. You can optionally wire the contact to a digital input (either externally or internally sourced) to provide indication of a power supply failure. Each power supply has a Power Good indication LED



Redundant Power Supply Sequencer Module

Redundant Switchover Control

Both ControlWave PAC redundant systems use system and user-configured failure detection and switchover. System failures are automatically detected; no user programming is needed.

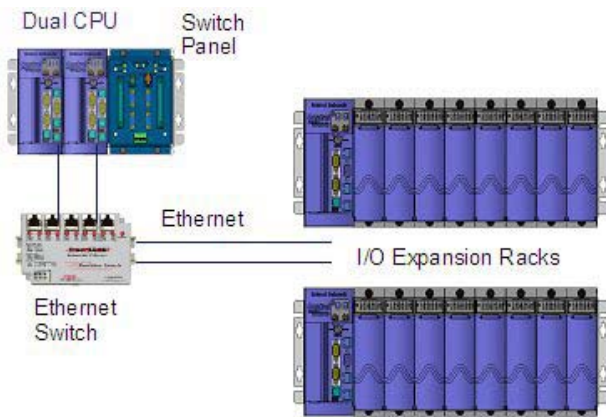
Technical Specifications

- Possible system failures include:
- An application program running in the CPU “crashes” due to a hardware or software fault.
 - All tasks are suspended for more than a user-configurable number of milliseconds.
 - A task watchdog occurs.
 - Hardware failures such memory or processor.

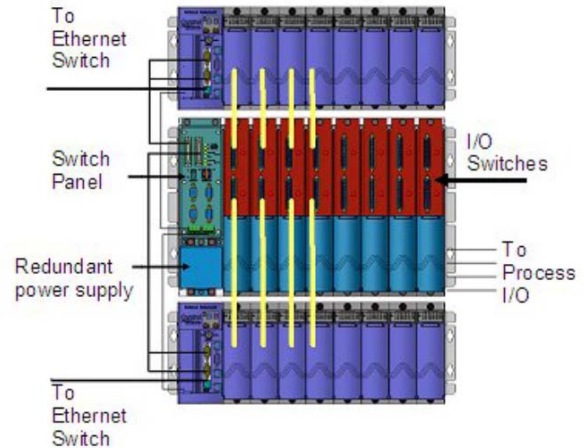
For even greater flexibility, you can configure (using a ControlWave Designer REDUN_SWITCH function block) virtually any user-created logic to detect a particular failure (such as a local I/O or communication failure).

Data Backup

In order to provide a truly reliable redundant backup system with seamless transfer, both ControlWave PAC redundant systems automatically synchronize the backup CPU database from the primary CPU. Both ControlWave PAC Redundant Systems provide a backup of retained data, port, user configuration, alarm events, and the historical database. This ensures that the backup CPU has full capability to assume control without the loss of any configuration or historical database information. The backup function is pre-configured and no control programming is required.



Redundant Process Control and Communication System



Redundant I/O System

Redundant Process Control and Communication System

System Components

Dual ControlWave PAC CPUs	Two identical ControlWave PAC CPUs. Each CPU is connected to ControlWave or ControlWave Micro I/O Expansion rack CPUs via Ethernet to an Ethernet switch. For more information, refer to Technical Specifications CWPAC.
CPU and Communication Redundancy Switch	A/B Primary Controller Select Switch A/B Mode Select Switch Serial Communication Port Switching On-Line Status Outputs – Contact rating 1A @ 30 Vdc LED Status indicators
Dual Power Supply Sequencer Modules (PSSM)	Two identical individual Power Supply Sequencer Modules (PSSM). Each PSSM may contain single or dual redundant power supplies. For more information , refer to <i>Technical Specifications CWPAC</i> .
Chassis	Aluminum chassis for dual CPUs, dual PSSM and CPU & Communication Redundancy Switch.



Communications Redundancy Switch Panel

COM1 – COM2	Type	RS-232
	Connector	9-pin D-SUB connector
COM3 – COM4	Type	RS-485
	Connector	9-pin D-SUB connector

Data Backup

Retained Data, Alarm Events, and Historical Data are automatically backed up.

Physical

Dimensions	(11.75 in. W by 7.1 in. H by 5 in. D) 
Weight	8 lbs. 
Wiring	Serial communication cables to switch included

Environmental

Same as the ControlWave PAC. For more information, refer to *Technical Specifications CWPAC*.

Approvals

Same as the ControlWave PAC. For more information, refer to *Technical Specifications CWPAC*.

Technical Specifications

Redundant I/O System

System Components	
ControlWave PAC Units	Two ControlWave PAC units with identical I/O setups: one primary unit and one backup unit. Each I/O module is connected to an I/O switch. For more information, refer to <i>Technical Specifications CWPAC</i> .
CPU and Communications Redundancy Switch Panel	A/B Primary Controller Select Switch A/B Mode Select Switch Serial Communication Port Switching On-Line Status Outputs – Contact rating 1A @ 30 Vdc LED Status indicators
I/O Switches	Input and output switches with direct connections to the process I/O signals.
AO Modules with Read-Back	Analog Output modules that monitor the value of the standby counterpart. For more information, refer to <i>Technical Specifications CWPAC</i> .
DO Modules with Read-Back	Digital Output modules that monitor the value of the standby counterpart. For more information, refer to <i>Technical Specifications CWPAC</i> .
Redundant Power Supply Sequencer Module	Input Voltage Range +20 to +30 Vdc (+24 Vdc nominal)
	Output Voltage Isolated +5.2 Vdc
Communications Redundancy Switch Panel	
COM1 – COM2	Type RS-232
	Connector 9-pin D-SUB connector
COM3 – COM4	Type RS-485
	Connector 9-pin D-SUB connector
I/O Switches	
Digital Input	Local or remote terminations
Digital Output	Local or remote terminations
Analog Input	Local or remote terminations
Analog Output	Local or remote terminations
UDI (High Speed Counter)	Local or remote terminations
Data Backup	
Retained Data, Alarm Events, and Historical Data are automatically backed up.	
Physical	
Dimensions	(19 in. W by 12.25 in. H by 5 in. D)
Weight	> 10 lbs (varies on configuration)
Wiring	Up to 14 AWG at the removable terminal blocks
Environmental	
Same as the ControlWave PAC. For more information, refer to <i>Technical Specifications CWPAC</i> .	
Approvals	
Same as the ControlWave PAC. For more information, refer to <i>Technical Specifications CWPAC</i> .	

Bristol, Inc., Bristol Canada, BBI SA de CV and Emerson Process Management Ltd, Remote Automation Solutions division (UK), are wholly owned subsidiaries of Emerson Electric Co. doing business as Remote Automation Solutions ("RAS"), a division of Emerson Process Management. FloBoss, ROCLINK, Bristol, Bristol Babcock, ControlWave, TeleFlow and Helicoid are trademarks of RAS. AMS, PlantWeb and the PlantWeb logo are marks of Emerson Electric Co. The Emerson logo is a trademark and service mark of the Emerson Electric Co. All other marks are property of their respective owners.

The contents of this publication are presented for informational purposes only. While every effort has been made to ensure informational accuracy, they are not to be construed as warranties or guarantees, express or implied, regarding the products or services described herein or their use or applicability. RAS reserves the right to modify or improve the designs or specifications of such products at any time without notice. All sales are governed by RAS' terms and conditions which are available upon request. RAS does not assume responsibility for the selection, use or maintenance of any product. Responsibility for proper selection, use and maintenance of any RAS product remains solely with the purchaser and end-user.

Emerson Process Management
Remote Automation Solutions
Marshalltown, IA 50158 U.S.A.
Houston, TX 77065 U.S.A.
Pickering, North Yorkshire UK Y018 7JA

